

EO-266-Subnano/1-100μJ/1-100mW

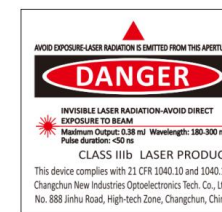
HIGH ENERGY DIODE PUMPED ALL-SOLID-STATE Q-SWITCHED LASER

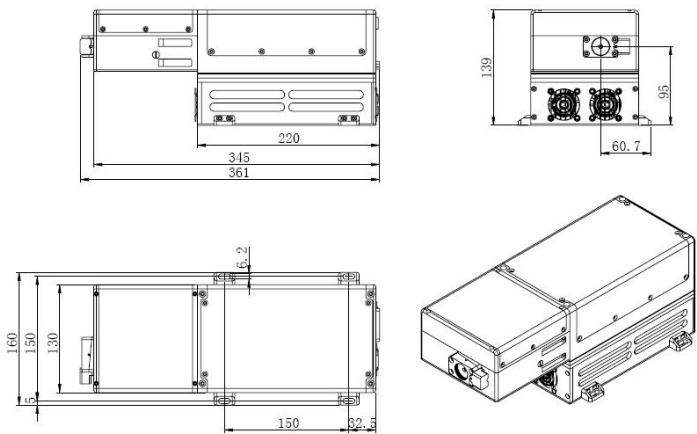
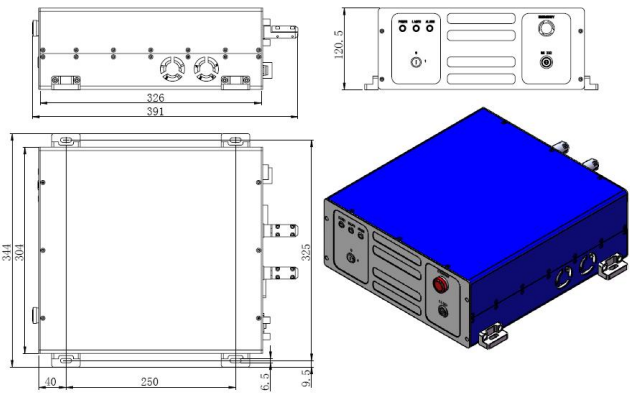
High energy diode pumped all solid state Q-switched laser at 266nm has the features of high single pulse energy, short pulse duration, and high peak power, which is widely used in biomedicine, environmental monitoring, scientific research, and so on.



SPECIFICATIONS

Wavelength (nm)	266±1nm
Operating mode	Actively
Single pulse energy (uJ)	1-100@1kHz
Average power (mW)	1-100@1kHz
Power stability (rms, 4 hours ±3°C)	<5%, <3%
Pulse duration (ns)	<2ns@1kHz
Rep. rate ¹	1-5kHz
Beam diameter (mm)	~1.5mm
Beam divergence, full angle (mrad)	<5mrad
Warm-up time (minutes)	<15
Beam height from base plate (mm)	95
Cooled method	Air cooled
Warm-up time (minutes)	<15
Operating temperature (°C)	15-30
Power supply (110/220VAC)	PSU-EO-Subnano



LASER HEAD	POWER SUPPLY
 <p>361(L)×160(W)×139(H)mm³, 8kg</p>	 <p>391(L)×344(W)×120.5(H)mm³, 10kg</p>

1 Repetition rate 1-5kHz variable, adjust the step size to 1kHz.