



EO-XS-1342/1-3W

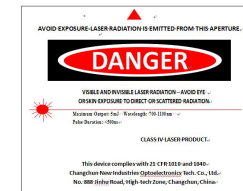
**LD PUMPED ALL-SOLID-STATE
EOM Q-SWITCHED LASER
AT 1342 nm**

All solid state EOM Q-switched laser at 1342 nm has the features of high peak power, high repetition rate, and short pulse duration, which is widely used in marking, carving, measure, research and so on.

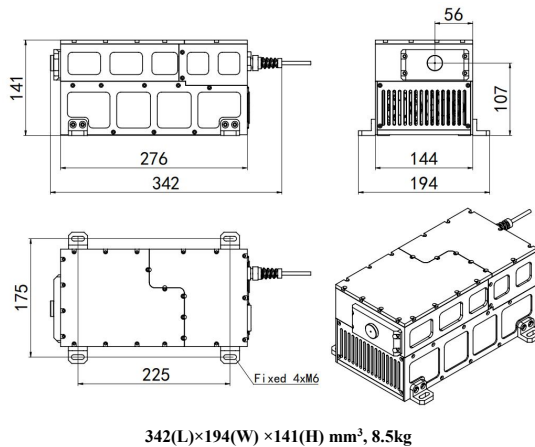


SPECIFICATIONS

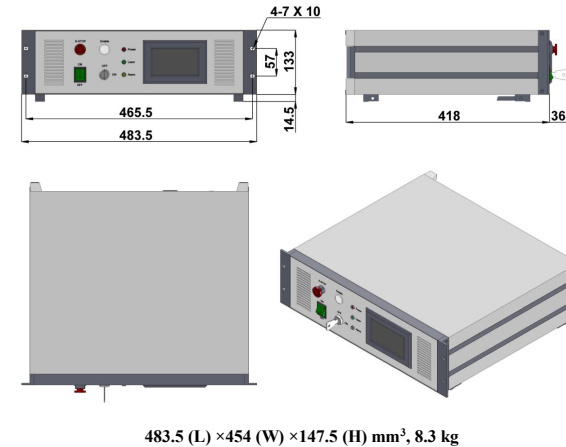
Wavelength (nm)	1342±1
Operating mode	Actively
Average power (W)	1-3W (3W@10kHz)
Single pulse energy (μJ)	1-300(300μJ @10kHz)
Rep. rate	10kHz
Pulse duration (ns)	~4 @10kHz
Peak power (kW)	1-75 (75kW@10kHz)
Ave power stability (rms, 4 hours±3°C)	<5%, <3%
Warm-up time (minutes)	<10
Beam divergence, full angle (mrad)	<3
Beam diameter at the aperture (1/e2,mm)	~1.5
M ²	<2
Beam height from base plate (mm)	107
Cooled method	Air cooled
Operating temperature (°C)	10-35
Power supply (100-240VAC)	PSU-AOM (3U)
Expected lifetime (hours)	>10000



LASER HEAD



POWER SUPPLY



1 Any power level can be selected in this range.