

FC-W-635C/ 2~40W

RED DIODE LASER AT 635nm

Red diode laser 635 nm is made features of ultra compact, long lifetime, low cost and easy operating. It's easy to be installed in customer's equipment.

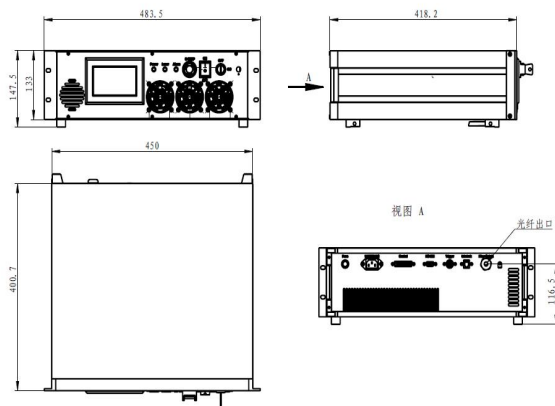


SPECIFICATIONS

Wavelength (nm)	635±5	
Operating mode	CW	
Output power (W) @ after 400um fiber	2~40 (Higher power can be customized.)	
Cooled method	Air cooled	Water cooled
Fiber Core Diameter (um)	200, 400, 600...	
Fiber Connector	SMA905/ FC/ QBH	
Numerical Aperture (NA)	0.22	
Power stability (rms, over 4 hours)	<1%, <3%...	
Warm-up time (minutes)	<5	
Beam height from base plate (mm)	116.5	99
Operating temperature (°C)	25+/- 3	
Power supply	90-264VAC	
Modulation option	TTL/ Analog 1Hz-30KHz, TTL on/ off	
Expected lifetime (hours)	10000	

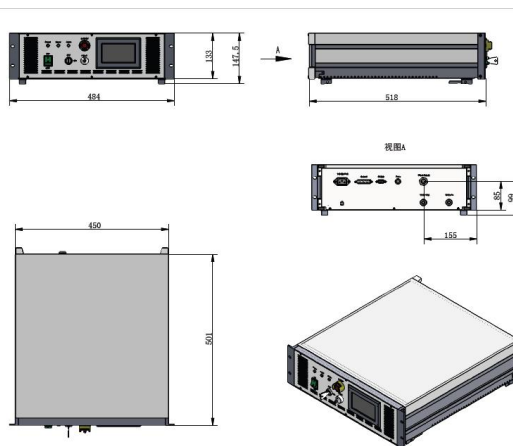


FC-W-635C (Air cooled)



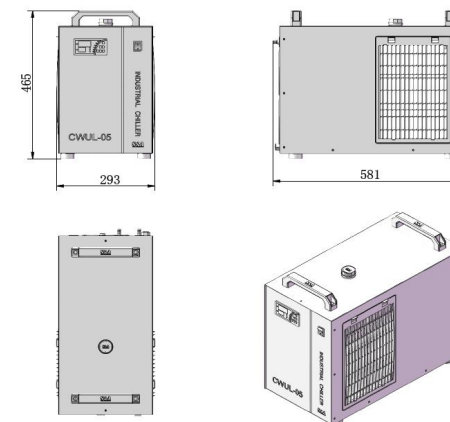
418.2 (L)×483.5(W)×147.5(H)mm³,

FC-W-635C (Water cooled)



518 (L)×450(W)×147.5(H)mm³,

Water Chiller (WCH-370) (Optional)



581 (L)×293(W)×465(H)mm³,