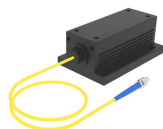


MDL-III-680-SM/1~20mW



**RED DIODE LASER
AT 680nm**

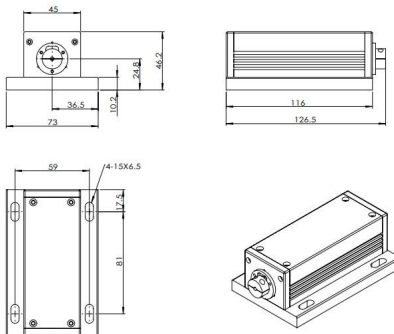
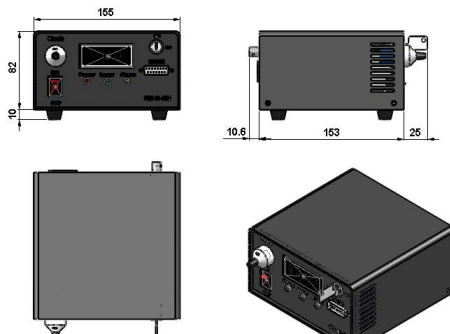
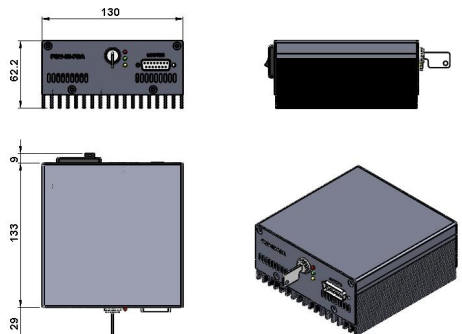
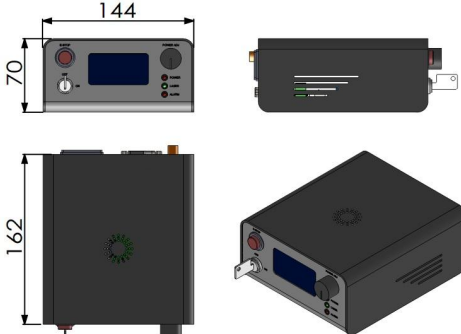
It features ultra compact design, long lifetime, cost-effectiveness and easy operation. They are used in measurement, communication, spectrum analysis, etc.



SPECIFICATIONS

| | |
|-------------------------------------|--|
| Central wavelength (nm) | 680±10 |
| Operating mode | CW |
| Output power after fiber (mW) | >1, 2, 3, ...,20 |
| Power stability (rms, over 4 hours) | <3%, <2%, <1%, <0.5% |
| Fiber type | SM fiber (PM fiber optional) |
| Fiber Core Diameter(μm) | 4-9 |
| Fiber NA | 0.12 |
| Fiber Connector | FC/PC, FC/APC |
| Fiber Length (m) | 1 (Other lengths are available on request) |
| Transverse mode | TEM ₀₀ |
| Ellipticity | >0.95 |
| M ² factor after fiber | ~1.1 |
| Warm-up time (minutes) | <5 |
| Operating temperature (°C) | 10~35 |
| Power supply | 85-264VAC |
| | 100-240VAC |
| Modulation optional | PSU-III-LED/ PSU-III-FDA (Frequency for 1Hz-30kHz) |
| | PSU-A-D (Frequency for 30kHz -100kHz) |
| Modulation optional | TTL on/off, 1Hz-1kHz, 1kHz-10kHz, 10kHz-30kHz, 30kHz-100kHz; and Analog modulation optional |
| Expected lifetime (hours) | 10000 |
| Warranty | 1 year |



| MDL-III-680-SM | PSU-III-LED | PSU-III-FDA | PSU-A-D |
|--|--|--|--|
|  <p>126.5(L) × 73(W) × 46.2(H) mm³, 0.7kg</p> |  <p>188.6 (L) × 155(W) × 92 (H) mm³, 1.5kg</p> |  <p>171(L) × 130(W) × 62.2 (H) mm³, 1.2kg</p> |  <p>162(L) × 144(W) × 70 (H) mm³, 1.0kg</p> |