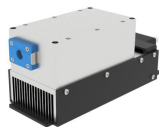


MDL-MD-650/655/1-1500mW



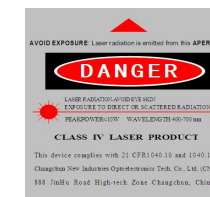
**RED DIODE LASER
AT 650/655nm**

It features ultra compact design, long lifetime, cost-effectiveness and easy operation. They are widely used in laser projection, laser shows, biomedical applications, holography, metrology. etc.

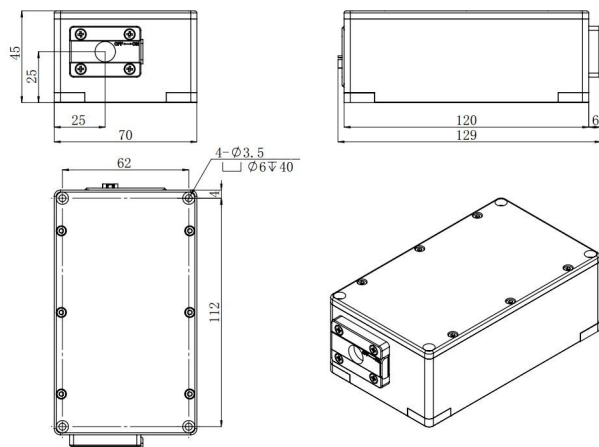


SPECIFICATIONS

Central wavelength (nm)	650±15/ 655±15	
Operating mode	CW	
Output power (mW) ¹	1-1500	
Power stability (rms, 4 hours ± 3°C)	<2%, <1%, <0.5%	
Transverse mode	Multimode	
Polarization direction	Horizontal+ Vertical	Horizontal/ Vertical
Beam diameter at the aperture (mm)	~3.0×7.2	~6.7×7.2
Beam divergence, full angle (mrad)	~3.1×2.5	~2.5×2.5
Warm-up time (minutes)	<5	
Beam height from base plate (mm)	25	
Operating temperature (°C)	25±3	
Power supply (100-240VAC)	PSU-H-FDA/PSU-H-LED/PSU-N-LED	
Modulation option	DC-1kHz, 1kHz-10kHz, 10kHz-30kHz optional; TTL and Analog optional	
Expected lifetime (hours)	>10000	

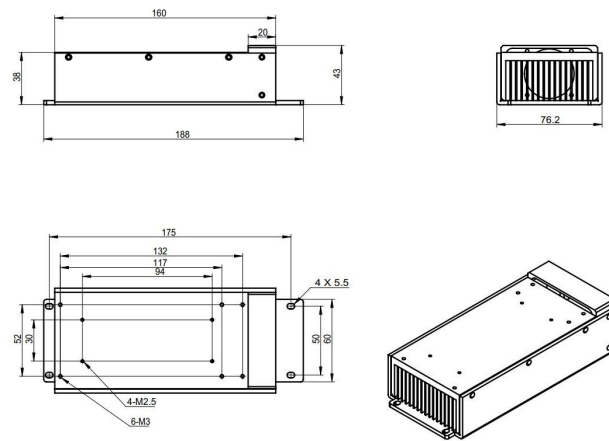


LASER HEAD²



129 (L) × 70 (W) × 45 (H) mm³, 0.7kg

HEATSINK (TC-04)



188 (L) × 76.2 (W) × 43 (H) mm³, 0.65kg

POWER SUPPLY (PSU-H-FDA) ³	POWER SUPPLY (PSU-H-LED) ⁴	POWER SUPPLY (PSU-N-LED) ⁴
<p data-bbox="353 730 645 754">275 (L) × 145 (W) × 104 (H) mm³, 2.1kg</p>	<p data-bbox="981 730 1272 754">277 (L) × 145 (W) × 106 (H) mm³, 2.3kg</p>	<p data-bbox="1597 730 1888 754">283 (L) × 180 (W) × 104 (H) mm³, 2.5kg</p>

- 1 Any power level can be selected in this range.
- 2 The laser head needs to be used on a heat sink with good heat dissipation.
- 3 Fixed output power; Modulation up to 30kHz.
- 4 Output power adjustable 10-100%; RS232 control optional; Modulation up to 30kHz.