



MPL-S-xxx-LP series

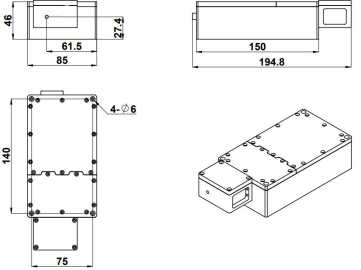
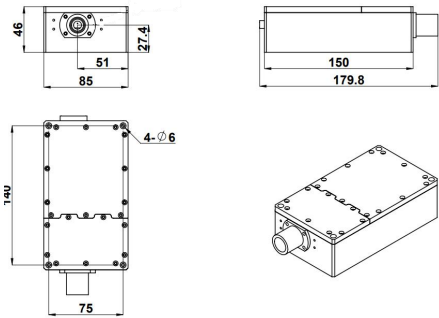
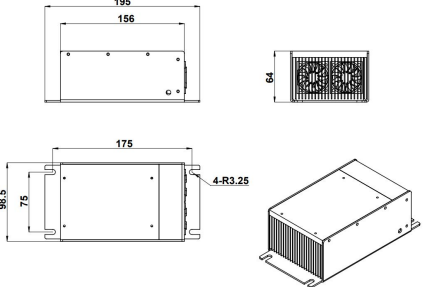
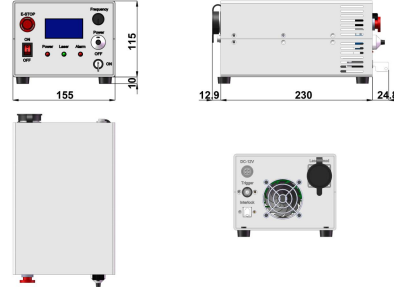
HIGH ENERGY LD PUMPED ALL-SOLID-STATE PASSIVELY LASER

All solid state passively laser has the features of high peak power and short pulse duration, which is widely used in scientific research, laser micromaching, laser radar ranging, environment monitoring, laser ultrasonic monitoring and LIBS (Laser Induced Breakdown Spectroscopy) etc.



SPECIFICATIONS

Wavelength (nm)	266±1	355±1
Operating mode	Passively	
Average power (mW) ¹	~15	~30
Single pulse energy (μJ)	~15	~30
Pulse duration (ns)	~0.4	
Peak power (kW)	37.5	75
Rep. rate	Int ²	1Hz-1kHz
	Ext ³	1Hz-1kHz
Power stability (rms, 4 hours ±3°C)	<5%, <3%, <2%	
Transverse mode ⁴	Near TEM ₀₀	
M ²	/	
Beam diameter at the aperture (mm)	~2.0	
Beam divergence, full angle (mrad)	<8	<2
Warm-up time (minutes)	<5	
Beam height from base plate (mm)	27.4	
Operating temperature (°C)	10-35	
Power supply (100-240VAC)	PSU-S-LP	
Expected lifetime (hours)	>10000	

LASER HEAD (MPL-S-266-LP) ⁵	LASER HEAD (MPL-S-355-LP) ⁵
 <p data-bbox="515 614 784 646">194.8(L)×85(W) ×46(H) mm³, 1.3kg</p>	 <p data-bbox="1456 614 1724 646">179.8(L)×85(W) ×46(H) mm³, 1.2kg</p>
HEATSINK (optional TC-02-FS)	POWER SUPPLY (PSU-S-LP) ⁶
 <p data-bbox="515 1037 784 1069">195(L)×98.5(W)×64(H) mm³, 1.5kg</p>	 <p data-bbox="1456 1037 1724 1069">267.7(L)×155(W)×125(H) mm³, 2.0kg</p>

1 Average power (mW)= Single pulse energy (μJ)* Rep. rate(kHz)

2 The frequency is selectable from one or five discrete values within the range.

3 External triggered.

4 Because of the walk-off effect of Nonlinear crystals,the beam quality of UV laser is not so good as that of 1064/532nm laser .

5 The laser head needs to be used on a heat sink with good heat dissipation.

6 Fixed output energy; RS232 control optional.