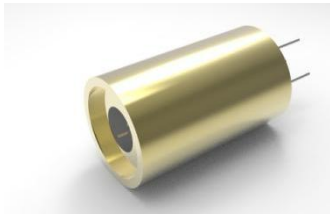




中国长春新产业光电技术有限公司  
Changchun New Industries Optoelectronics Tech. Co., Ltd

## PGL-D12-655



Diode red laser at 655nm is made features of ultra compact, long lifetime, low cost and easy operating, which made it be used widely in measurement, spectrum analysis and laser show, etc.

### SYSTEM SPECIFICATIONS\*

Wavelength	nm	655
Wavelength tolerance	nm	±10
Output power	mW	1-100
Operating mode		CW
Transverse mode		Near TEM <sub>00</sub>
Beam diameter at the aperture(1/e <sup>2</sup> )	mm	~3.5
Beam divergence, full angle	mrad	<1
Expected lifetime	hours	10000
Warranty	years	1

### ELECTRICAL SPECIFICATIONS

Operating voltage(external PCB1)	3VDC
Operating voltage(external PCB2)	5VDC(TTL30kHz and Analog0-3V,0-5V, optional)
Operating voltage(external PCB3)	5-12VDC(TTL30Khz and Analog 0-3V,0-5V, optional)
Connection	Cable with flying leads

### ENVIRONMENTAL CONDITIONS

Operating temperature	0°C to 40°C
Storage temperature	-20°C to 80°C
Humidity	<90 %, non-condensing
Dissipated heat	<0.9W

### MECHANICAL SPECIFICATIONS

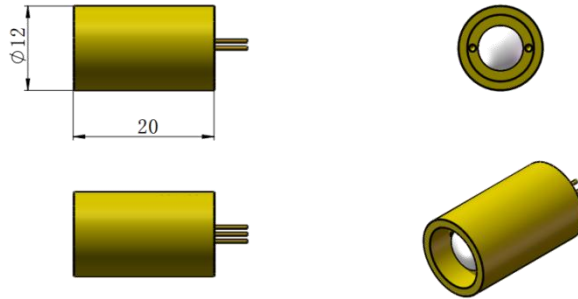
Laser head diameter Φ	mm	12
Length	mm	20
Material		Copper
Shell polarity		The housing has a positive electrode.

\*All testing data under the conditions of temperature 25°C.

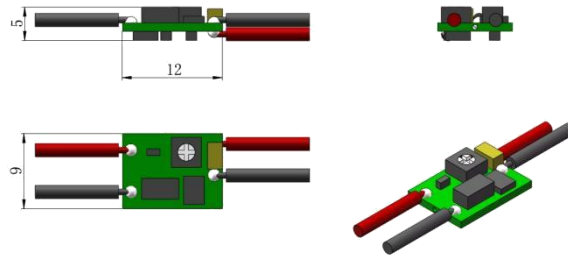


中国长春新产业光电技术有限公司  
Changchun New Industries Optoelectronics Tech. Co., Ltd

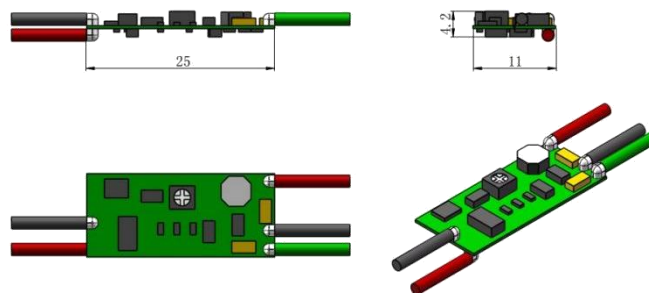
Dimensions of laser( $\Phi 12 \times 20 \text{mm}^2$ )



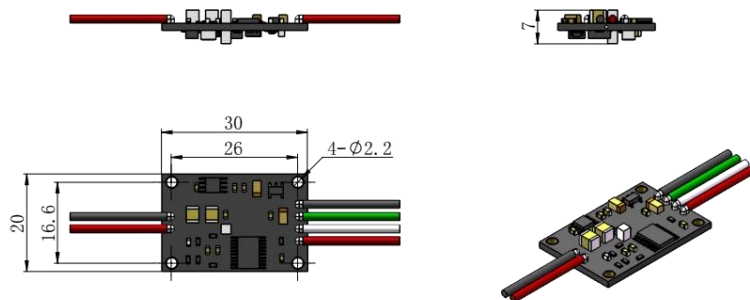
Dimensions of PCB1(*small size*,  $9 \times 12 \text{mm}^2$ , 3VDC)



Dimensions of PCB2( $25 \times 11 \text{mm}^2$ , 5VDC, TTL and Analog )



Dimensions of PCB3(*wide voltage input range*,  $20 \times 30 \text{mm}^2$ , 5-12VDC, TTL and Analog)





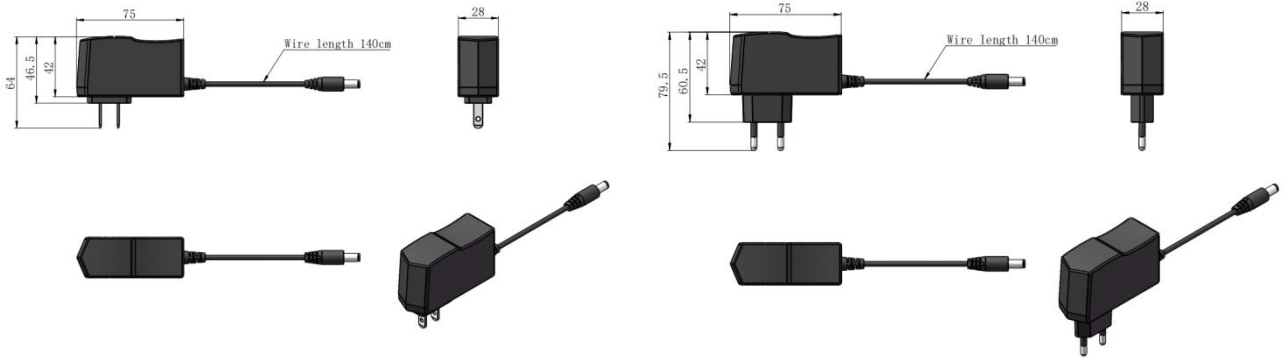
中国长春新产业光电技术有限公司  
Changchun New Industries Optoelectronics Tech. Co., Ltd

### AD-3V 1A POWER ADAPTER

Input 100-240VAC 50-60Hz

Output DC 3V 1A

Dimensions of power adapter (mm):

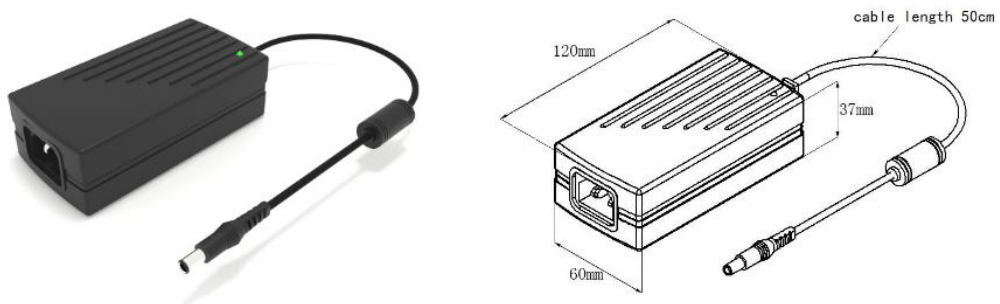


### AD-5V 5A POWER ADAPTER

Input 85-264VAC 47/63Hz

Output DC 5V 5A

Dimensions of power adapter (mm):



### AD-12V 3.34A POWER ADAPTER

Input 100-240VAC 50/60Hz

Output DC 12V 3.34A

Dimensions of power adapter (mm):

