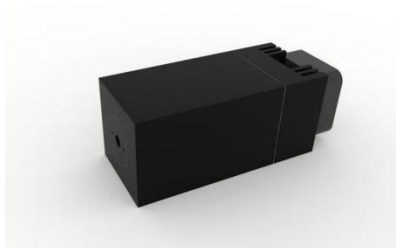




中国长春新产业光电技术有限公司
Changchun New Industries Optoelectronics Tech. Co., Ltd

PGL-FS-1064



All solid state infrared laser module at 1064nm is made features of ultra compact, long lifetime, low cost and easy operating, which made it be used widely in collimation, laser medical treatment, scientific experiment, optical instrument, etc.

SYSTEM SPECIFICATIONS*

Wavelength	nm	1064
Wavelength tolerance	nm	±1
Output power	mW	1-500
Power stability(rms, over 4 hours)		<20%, <10%, <5%
Operating mode		CW
Transverse mode		TEM ₀₀
Beam diameter at the aperture(1/e ²)	mm	~1.5
Beam divergence, full angle	mrad	<1.2
Warm-up time	minutes	<10
Beam height from base plate	mm	15
Expected lifetime	hours	10000
Warranty	years	1

ELECTRICAL SPECIFICATIONS

Operating voltage(PSU-II-OEM)	5V (TTL30kHz or Analog 0-5V,optional)
Connection	Cable with flying leads
Operating voltage(PSU-V-OEM)	100-240VAC(TTL30kHz and Analog 0-5V,optional)
Operating voltage(PSU-I-OEM)	12VDC (TTL30kHz and Analog 0-5V,optional)
Connection	9 pin connector

ENVIRONMENTAL CONDITIONS

Operating temperature	10°C to 40°C
Storage temperature	-20°C to 80°C
Humidity	< 90%, non-condensing

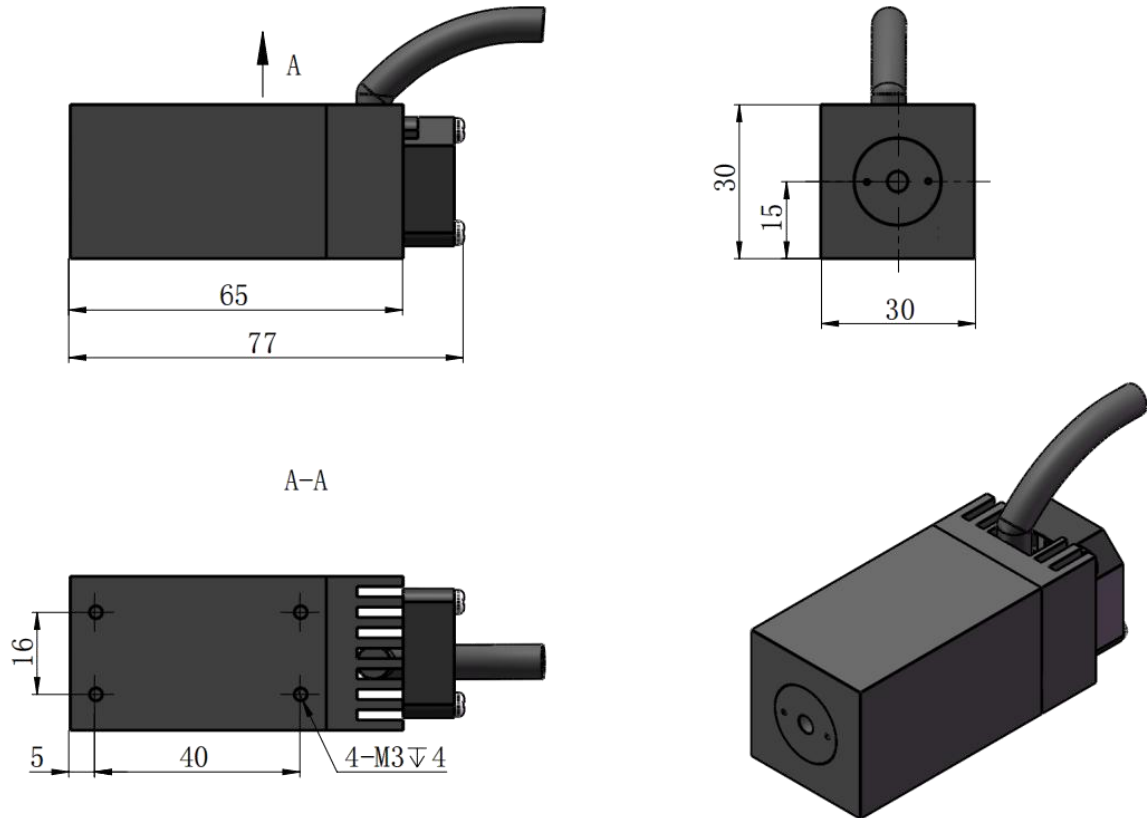
MECHANICAL SPECIFICATIONS

Dimensions of laser head	77(L)×30(W)×30(H)mm ³
Material	Aluminum

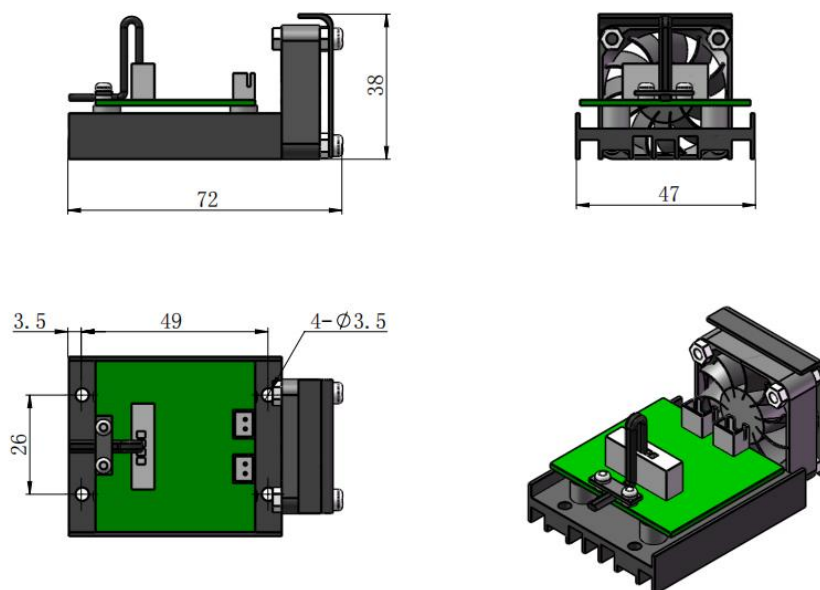
*All testing data under the conditions of temperature 25°C.



Dimensions of laser head(77×30×30mm³)



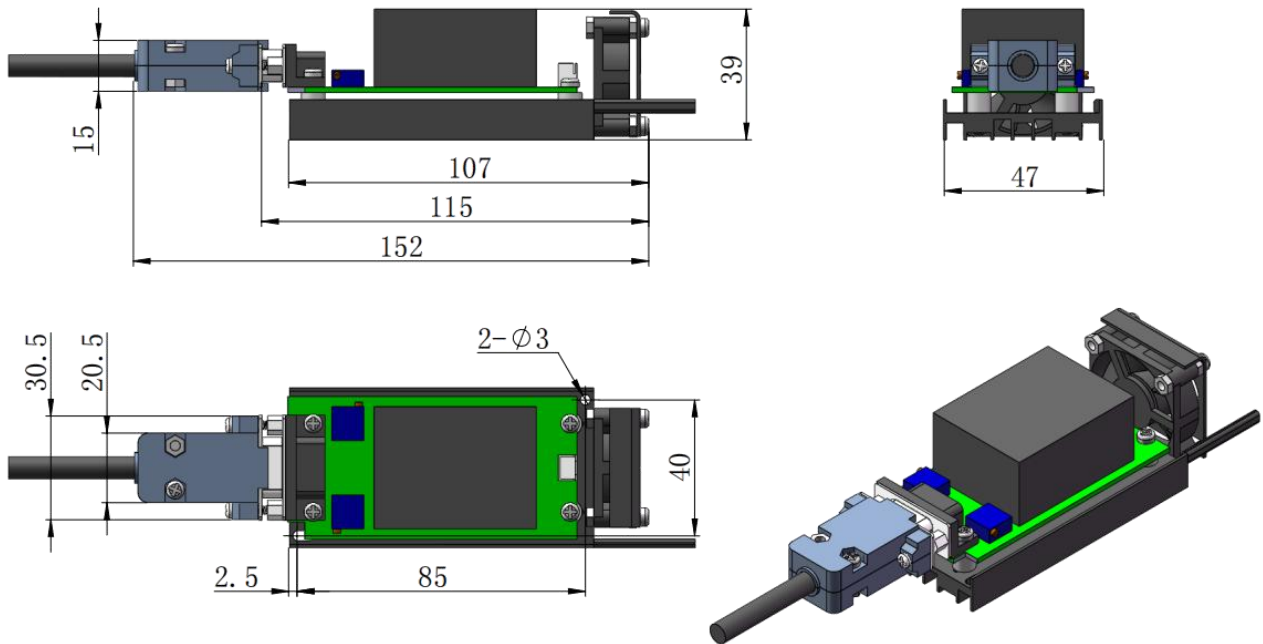
Dimensions of PSU-II-OEM power supply(72×47×38mm³, 5VDC, TTL 30kHz or Analog 0-5V)



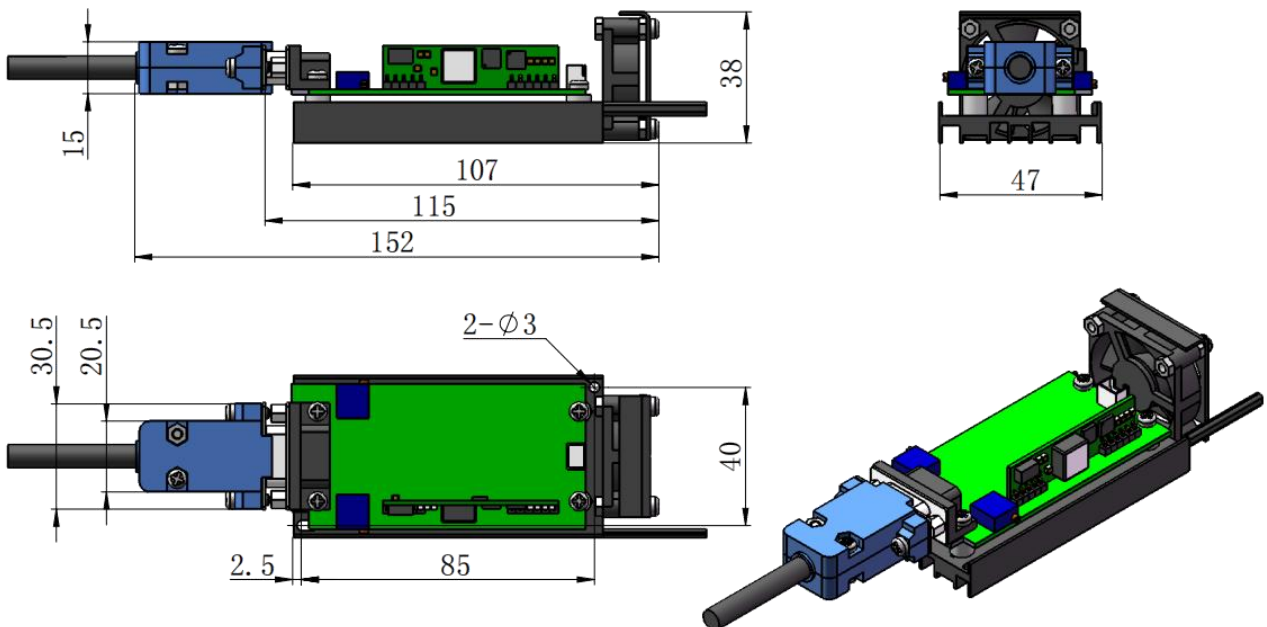


中国长春新产业光电技术有限公司
Changchun New Industries Optoelectronics Tech. Co., Ltd

Dimensions of PSU-V-OEM power supply
(107×47×39mm³, 100-240VAC, TTL 10kHz and Analog 0-5V)



Dimensions of PSU-I-OEM power supply(107×47×38mm³, 5/12VDC, TTL 10kHz and Analog 0-5V)



Dimensions of PSU-V-OEM and PSU-I-OEM power supply with dust cover(110×70×47mm³)



中国长春新产业光电技术有限公司
Changchun New Industries Optoelectronics Tech. Co., Ltd

