



中国长春新兴产业光电技术有限公司  
Changchun New Industries Optoelectronics Tech. Co., Ltd

## PGL-VI-808



Diode infrared laser module at 808nm is made features of ultra compact, long lifetime, low cost and easy operating, which made it be used widely in measurement, spectrum analysis and laser show, etc.

### SYSTEM SPECIFICATIONS\*

		PGL-VI-808-S	PGL-VI-808-M
Wavelength	nm	808	
Wavelength tolerance	nm	±10	
Output power	mW	1-100	1-200
Operating mode		CW	
Transverse mode		Near TEM <sub>00</sub>	Multimode
Beam diameter at the aperture(1/e <sup>2</sup> )	mm	~4.5	~3.5×1.5
Beam divergence, full angle	mrad	<1	<10
Expected lifetime	hours	10000	
Warranty	years	1	

*Focus adjustable laser is optional.*

### ELECTRICAL SPECIFICATIONS

Operating voltage(internal PCB)	3VDC
Operating voltage(internal PCB1)	5VDC(TTL30kHz and Analog0-3V,0-5V, optional)
Operating voltage(external PCB2)	5-12VDC(TTL30kHz and Analog 0-3V,0-5V, optional)
Connection	Cable with flying leads

### ENVIRONMENTAL CONDITIONS

Operating temperature	0°C to 40°C
Storage temperature	-20°C to 80°C
Humidity	< 90 %, non-condensing
Dissipated heat	< 1W

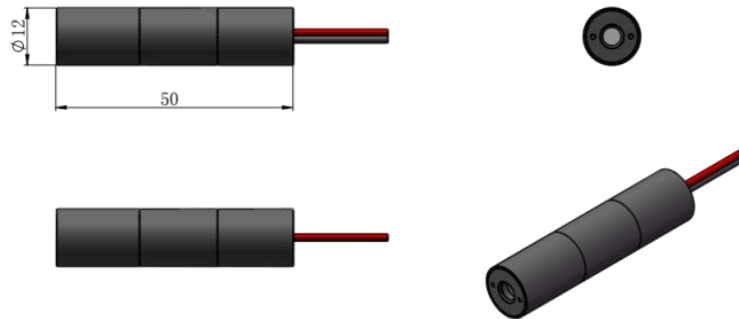
### MECHANICAL SPECIFICATIONS

Dimensions of internal PCB	mm <sup>2</sup>	Φ12×50
Dimensions of internal PCB1	mm <sup>2</sup>	Φ15×90
Material		Aluminum
Shell polarity		The housing is isolated.

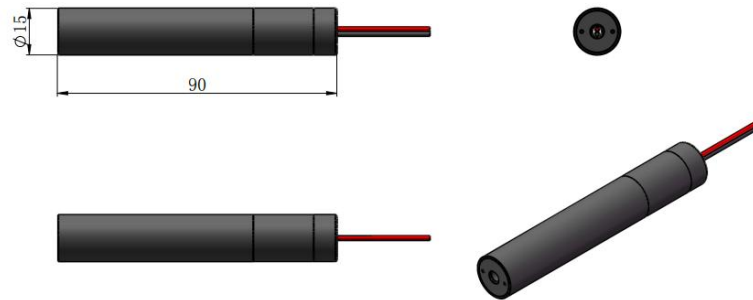
\*All testing data under the conditions of temperature 25°C.



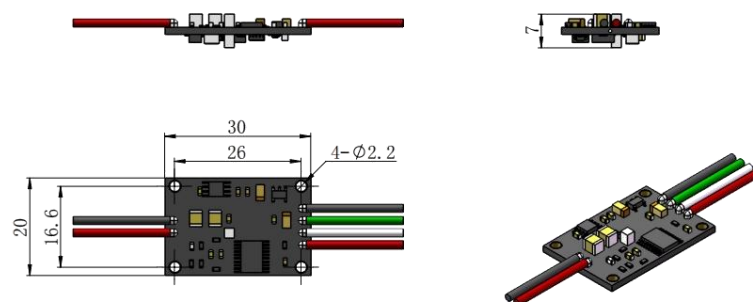
Dimensions of laser(Internal PCB,  $\Phi 12 \times 50 \text{mm}^2$ , 3VDC)



Dimensions of laser(Internal PCB1,  $\Phi 15 \times 90 \text{mm}^2$ , 5VDC, TTL and Analog)



Dimensions of external PCB2(*wide voltage input range*,  $20 \times 30 \text{mm}^2$ , 5-12VDC, TTL and Analog)



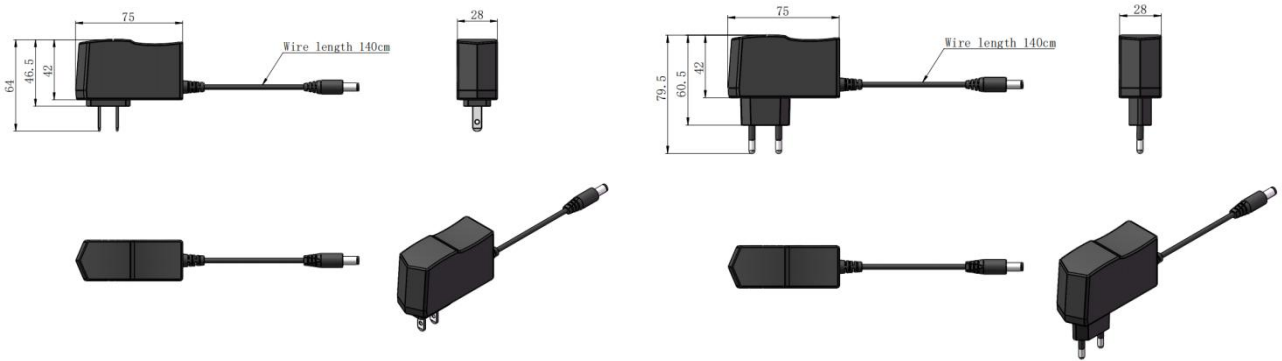


### AD-3V 1A POWER ADAPTER

Input 100-240VAC 50-60Hz

Output DC 3V 1A

Dimensions of power adapter (mm):

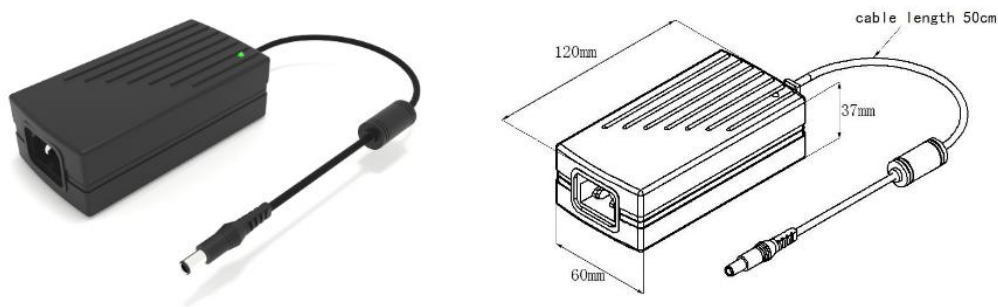


### AD-5V 5A POWER ADAPTER

Input 85-264VAC 47/63Hz

Output DC 5V 5A

Dimensions of power adapter (mm):

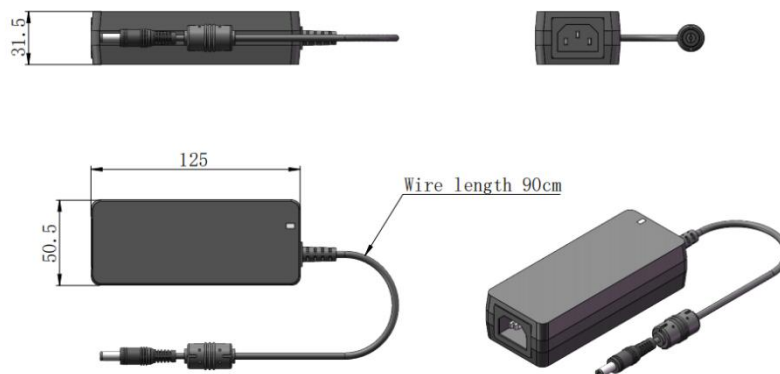


### AD-12V 3.34A POWER ADAPTER

Input 100-240VAC 50/60Hz

Output DC 12V 3.34A

Dimensions of power adapter (mm):





## MODULE MOUNTING SPECIFICATIONS

Model type		MMU-12
Module mounting size	mm	30 x 25 x 18mm
Applicable models size $\varnothing$	mm	12mm
Through-hole $\varnothing$	mm	3mm
Through-hole distance	mm	25 x 18mm

Dimensions of module mounting (mm):

