

PS-M Series

**RAMAN PICOSECOND
PULSED LASER AT 280-660nm**

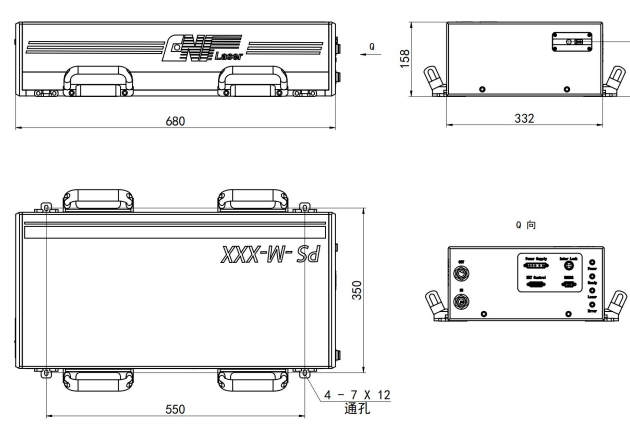
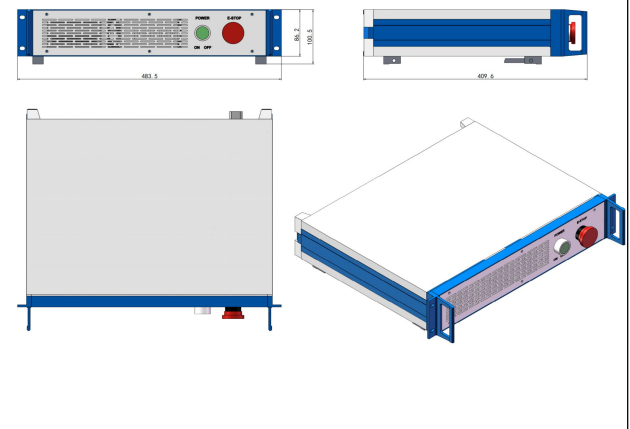
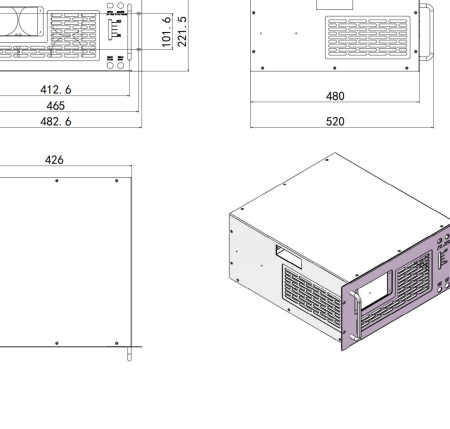
Raman picosecond pulsed laser at 280-660nm is made features of short pulse duration, high repetition rate and high average power, which is used industrial processing, physics experiment, etc.



SPECIFICATIONS

Wavelength (nm)	280±1	295±1	310±1	330±1
Operating mode	Passively			
Average power (W)	1-40mW (40mW@1MHz)	1-50mW (50mW@1MHz)	1-40mW (40mW@1MHz)	1-30mW (30mW@1MHz)
Single pulse energy (nJ)	1-40nJ(40nJ @1MHz)	1-50nJ(50nJ @1MHz)	1-40nJ(40nJ @1MHz)	1-30nJ(30nJ @1MHz)
Rep. rate (kHz)	500-1000			
Pulse duration (ps)	10ps@1MHz,40mW	10ps@1MHz,50mW	10ps@1MHz,40mW	10ps@1MHz,30mW
Peak power (kW)	4kW @1MHz	5kW @1MHz	4kW @1MHz	3kW @1MHz
Power stability (rms, over 4 hours)	<3%, (<2% optional)			
Beam divergence, full angle (mrad)	<1			<2
Beam diameter at the aperture (1/e ² ,mm)	~3.0			
Beam height from base plate (mm)	116			
Cooled method	Water cooled			
Operating temperature (°C)	15~35			
Power supply (220/110VAC)	On request			

Wavelength (nm)	560±1	590±1	620±1	660±1
Operating mode	Passively			
Average power (W)	1-800mW (800mW@1MHz)	1-600mW (600mW@1MHz)	1-500mW (500mW@1MHz)	1-300mW (300mW@1MHz)
Single pulse energy (nJ)	1-800nJ(800nJ @1MHz)	1-600nJ(600nJ @1MHz)	1-500nJ(500nJ @1MHz)	1-300nJ(300nJ @1MHz)
Rep. rate (kHz)	500-1000			
Pulse duration (ps)	10ps@1MHz,800mW.	10ps@1MHz,600mW.	10ps@1MHz,500mW.	10ps@1MHz,300mW.
Peak power (kW)	80kW @1MHz	60kW @1MHz	50kW @1MHz	30kW @1MHz
Power stability (rms, over 4 hours)	<3%, (<2% optional)			
Beam divergence, full angle (mrad)	<1			
Beam diameter at the aperture (1/e ² ,mm)	~3.0			
Beam height from base plate (mm)	116			
Cooled method	Water cooled			
Operating temperature (°C)	15~35			
Power supply (220/110VAC)	On request			
Expected lifetime (hours)	10000			

PS-M-280-660	Power supply	Water Chiller
 <p style="text-align: center;">680(L)×332(W)×158(H) mm³, 40 kg</p>	 <p style="text-align: center;">483.5 (L) ×409.6(W) ×100.5(H) mm³, 4.5 kg</p>	 <p style="text-align: center;">520(L)×482.6(W)×221.5(H) mm³, 22 kg</p>