

TUN-518-522/1-30mW



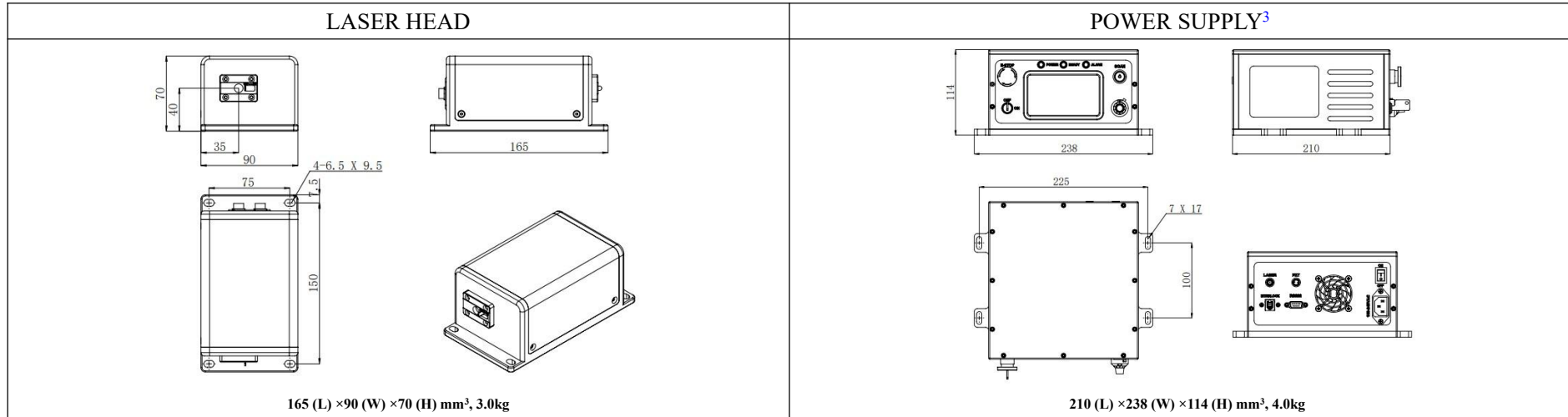
**WAVELENGTH TUNABLE  
NARROW LINEWIDTH  
DIODE LASER**

It is a high-end custom high stability, low noise, narrow linewidth, wavelength tunable product. Mainly used in scientific research and teaching, such as holographic imaging, Raman, atomic clock, coherent detection and so on. Currently it has a line width of less than 0.1nm and a tuning range of 4nm.



**SPECIFICATIONS**

Wavelength range of roughly tuning (nm)	518-522
Operating mode	CW
Output power (mW) <sup>1</sup>	1-30
Power stability (rms, 4 hours ± 3°C)	<3%, <2%, <1%
Transverse mode	Near TEM <sub>00</sub>
Spectral line width (nm)	<0.1
Frequency shift (pm) (over ±2°C and 1hrs)	<10
Coarse tuning accuracy (nm)	~0.1
Fine tuning range (GHz) <sup>2</sup>	>40 (52pm)
Fine tuning accuracy (nm) <sup>2</sup>	0.001
Beam diameter at the aperture (1/e <sup>2</sup> , mm)	~3.0
Beam divergence, full angle (mrad)	<1.0
Polarization ratio	>50:1, (>100:1 optional) Horizontal±5 degree
Warm-up time (minutes)	<5
Beam height from base plate (mm)	40
Operating temperature (°C)	20-30
Power supply (100-240VAC)	PSU-TUN
Parameters of customized power supply	Current : 0-270mA
	TEC: 7-12kΩ
	PZT voltage: 0-100V
Expected lifetime (hours)	>10000



1 Any power level can be selected in this range.

2 Wavelength fine tuning is multi-parameter joint tuning, customer only needs to adjust the PZT voltage value to realize.

3 Output power adjustable 10-100%; RS232 control optional.